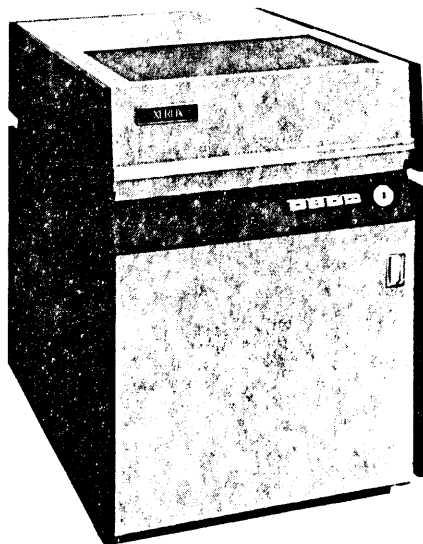


Xerox Model 7270/7271 Removable Disk Storage System

The Model 7270/7271 is a medium-capacity, high-performance, removable storage system. Modularity in packaging and design makes a low-average-access-time-system available in configurations as small as 98 million bytes. The Model 7270 consists of a controller and two 49-million byte disk drives, for a starter capacity of 98 million bytes. Expansion of the system is achieved by the addition of up to six Model 7271 disk drives, each providing 49 million bytes of storage, for a total on-line

7270	ctrlr + 2x49MB	65,000
7271	49MB	22,500
1040	2nd Ctrlr	20,000
1041	Dual Accen	4,380

capacity of 393 million bytes per controller. Dual access to the system, available as an option at extra cost, is configured by adding feature #1040 and disk drive feature #1041. The removable storage medium is the Model 7274 eleven-high, 20-surface disk pack. The Model 1042 Extended Width Interface Feature is also available to reduce IOP Bandwidth consumption by transferring data in 4-byte parallel form.



Disk Drive



Controller

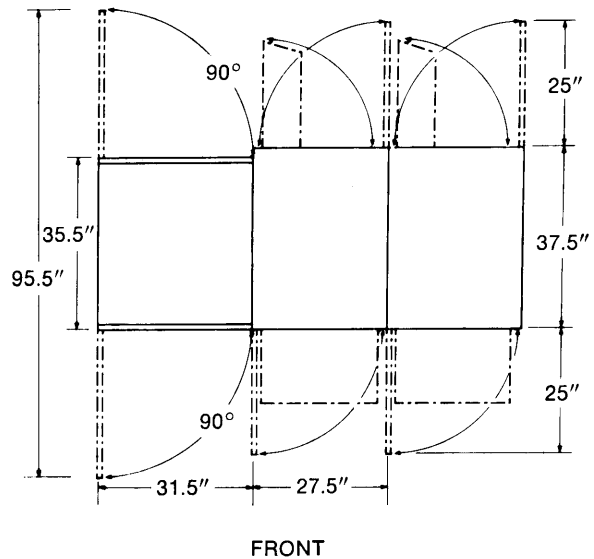
Xerox Model 7270/7271 Removable Disk Storage System

Features

- ELECTROMAGNETIC HEAD POSITIONER — 35ms average cylinder access time
- INDUCTO-SYN TRACKING — optimizes head positioning precision
- DUAL ACCESS — allows simultaneous read/read, read/write, or write/write on any two spindles in a set of eight
- INDEPENDENT SEEK OPERATIONS — allows overlapping of seek operations to minimize access times on multiple spindle systems

Specifications

Recording Format	1024 bytes/sector 6 sectors/track 400 tracks/surface* 20 recording surfaces
Spindle Capacity (sectored)	49,152,000 bytes
On-Line Capacity (sectored)	
Minimum	98,304,000 bytes
Maximum	393,216,000 bytes
Nominal Access Time	
Seek	35ms average (10 — 70 ms)
Rotational Latency	12.5 ms average (0 — 25 ms)
Transfer Rate	
Instantaneous (per sector)	312,500 bytes/sec
Average (multiple sectors)	250,800 bytes/sec
Cable Lengths	
IOP to Controller	40 ft. max.
Controller to Last Drive	70 ft. max.
Physical Dimensions (approx.)	
Controller (standard Sigma cabinet)	
Height	63.5 in.
Width	31.5 in.
Depth	35.5 in.
Weight	600 lbs.
Model 7271 Disk Drive	
Height	38 in.
Width	27.5 in.
Depth	37.5 in.
Weight	700 lbs.



NOTE: All dimensions are approximate.

*plus six spare tracks/surface, used only if recording surface is flawed

COMPARISON OF 7242 AND 7270 SYSTEMS

	<u>7242</u>	<u>7270 (CDC 9742)</u>
Spindles/Device	2	1
Capacity (Spindle)	24,576,000 Bytes	49,152,000 Bytes
Av. Access Time/Spindle	87.5 MS	47.5 MS
Av. Seek Time/Spindle	75 MS	35 MS (400 Cylinders)
Data Transfer Rate	312,000 Bytes/Sec	312,000 Bytes/Sec
Height x Width x Depth	67" x 33" x 41" (1,200 lbs.)	28' x 27.5" x 37.5" (600 lbs.)
Spindles/Controller (Max)	8	8
Max. Storage/Controller	196,608,000 Bytes	393,216,000 Bytes
No. of R/W Heads	20/Spindle	20
Data Cylinders/Pack	203	406
Type Positioner	Hydraulic	Electrical

Models 7270/7271/7274 Removable Disk Storage System

FACT SUMMARY

- Pricing:

<u>Model</u>	<u>Description</u>	<u>Purchase</u>	<u>Lease</u>			<u>MCR</u>	<u>FEC</u>
			<u>1-Yr.</u>	<u>4-Yr.</u>	<u>6-Yr.</u>		
7270	Control + 2-49MB drive	65000	1600	1505	1425	395	1500
7271	Add-on 49 MB drive	22500	550	515	490	145	700
1040	Second controller	20000	500	445	420	105	1000
1041	Dual Access for drive	4380	110	100	85	20	100
1042	Extended width interface	2500	65	60	55	15	60
7274	Disk pack	475	30	30	30	NA	NA

- Bandwidth Requirements:

Same as Model 7242.

- Applicability:

32-bit Sigma Computers operating under RBM, CP-R, or CP-V.

- Policy:

Customers having 7260/61 on order (but not shipped) will be allowed to convert their orders to 7270/71 equipment. On each one-for-one conversion (i.e., one 7270 for one 7260 now on order), there will be no quota point or commission effect.

- Availability:

4th Quarter, 1973.